



Applications

The LA Audio Compact24 is a small format high performance sound reinforcement system designed for high quality foreground and background music applications. The Compact24 is designed for both indoor and outdoor applications where music and speech reinforcement is specified. The system is ideal for use in restaurants, retail environments, bars, hotels, and other applications where high quality music systems are specified.

The Compact24 utilizes a two element array of high output 4 inch (101.6mm) woofers. The horn loaded high frequency wave guide is positioned between the two element array to insure coherent and balanced high frequency response. Polar lobing is controlled by this geometry and produces a properly aimed response at the crossover frequency.

The Compact24 features a standard multi-tap transformer input that is switchable from a maximum of 50 watts of input power in essentially 3dB steps. The available taps are 50 watts, 25 watts, 12 watts and 5 watts. The Compact24 may also be easily configured for a standard low impedance direct input.

The system also features a standard mounting bracket designed for flexible aiming and easy installation. The small physical size and unique appearance of the Compact24 make it an ideal installation product. It is very versatile and combines great sound with great looks.

Features and Benefits

- High Sensitivity
- Indoor/Outdoor Weather Resistant
- Magnetically Shielded
- Two Element Low Frequency Array
- Multi-Tap Matching Transformer Standard
- Mounting Bracket Included
- Neodymium Based High Frequency Driver

Specifications

GENERAL SPECIFICATION

Type	3 Way Full Range Passive Bass Reflex
Power	50 Watt
Nominal Impedance	4 Ohm
Sensitivity (1W@1M)	89 dB
Max SPL	115 dB
Coverage Pattern	90° x 60°
Frequency Response	80Hz - 18kHz
Dimension (H x W x D)	303mm x 157mm x 267mm (11.9" x 6.2" x 10.5")
Finish Color	Black or White

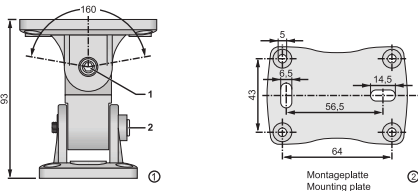
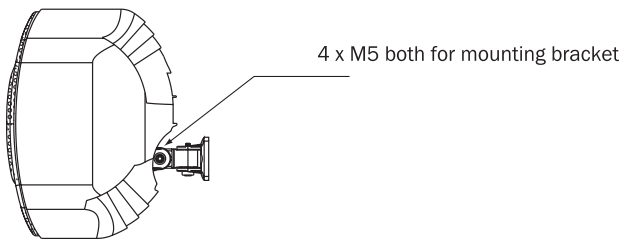
TRANSFORMER

Type	Isolate 12.5 , 25 , 50 Watt / 100 V
Direct	4 Ohm (Switchable)

PHYSICAL INFORMATION

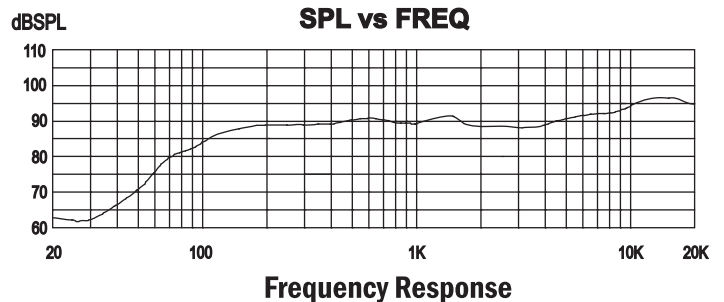
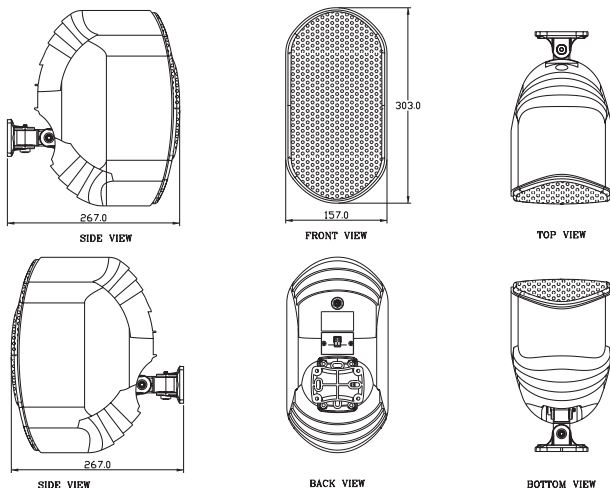
LF Component	2 x 4" (101.6 mm) Cone Speaker
HF Component	1 x 1" (25.4 mm) Titanium Diaphragm
Construction	Injection Molded High Impact Polycarbonate
Grill	Powder Coated Steel Mesh
Connector	1 x Phoenix/ Euro Type Terminal
Rigging / Fitting	Pan and Tilt (Included)
Standard Packing	2 Pcs / Pack
Unit Weight	5 kg (11.0 lbs)
Shipping Weight	11.2 kg (24.6 lbs)
Packing Dimension HxWxD (mm)	350 x 465 x 305
	13.8" x 18.3" x 12.0" (1.75 cu.ft)

Rigging & Fitting



Mounting

- 1) Unscrew one of the two hexagon socket screws (1, 2), remove the corresponding mounting plate, and tighten it at the desired place of the wall or ceiling with screws and dowels of sufficient size (for the dimensions of the fixing holes see figure 2). The mounting place must be of sufficient stability.
- 2) Fix the other mounting plate of the support at the cabinet of the speaker.
- 3) Join the two parts of the support again, re-insert the screw which was removed, and tighten it after aligning the speaker.
- 4) To turn the speaker around the other axis, release the second hexagon socket screw, and re-tighten it after aligning the speaker. Check the fixing at regular intervals for tight fit and re-tighten the screws (1, 2), if required.



Audient Group / LA Audio
Aspect House Herriard Hampshire RG25 2PN
United Kingdom
www.laudio.co.uk